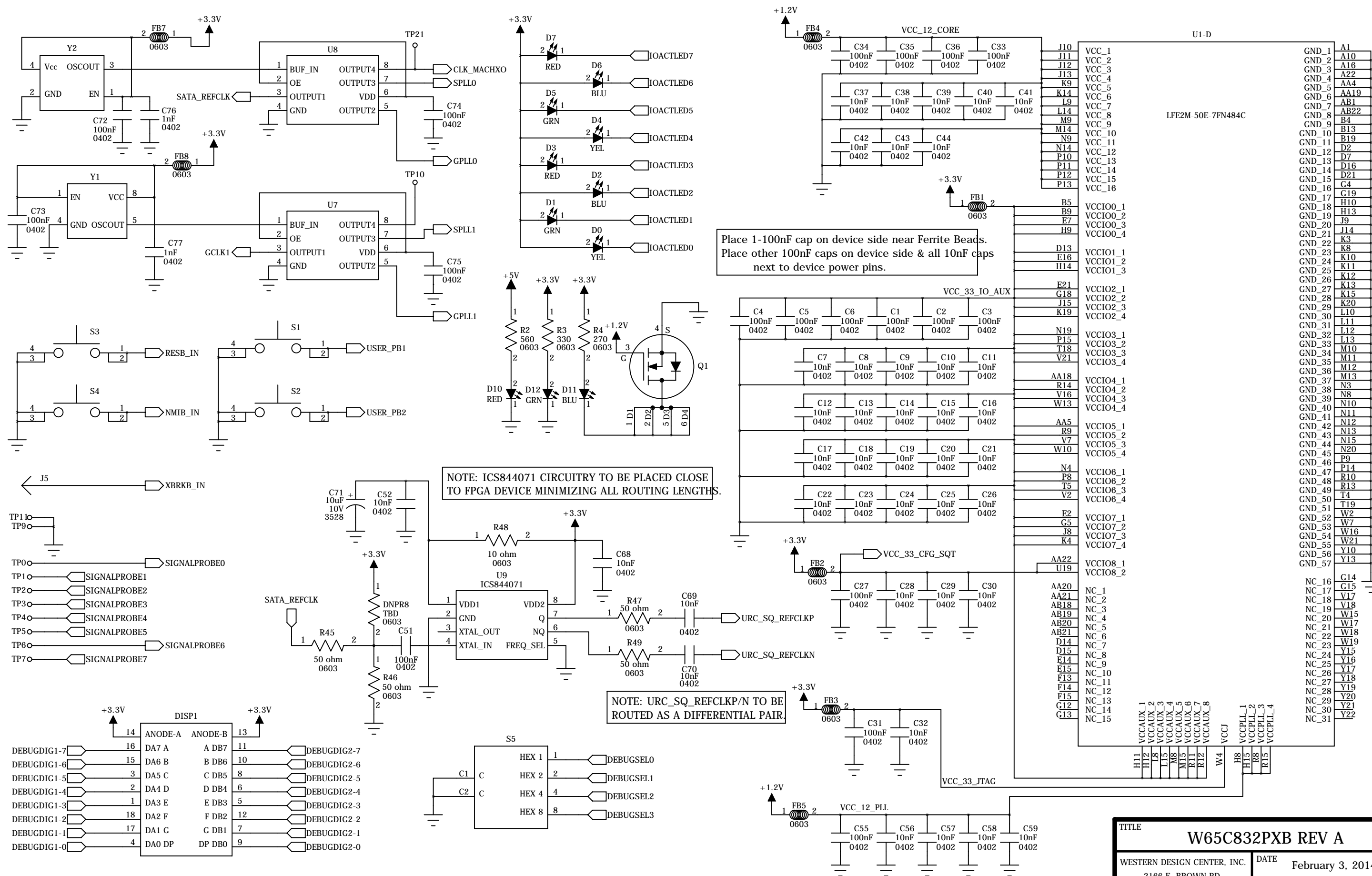


TITLE		W65C832PXB REV A		SIZE	B
WESTERN DESIGN CENTER, INC.		DATE	February 3, 2014	SHEET 1 OF 6	
2166 E. BROWN RD.		MESA, AZ 85213		SHEET DESCRIPTION	
www.westerndesigncenter.com		FPGA-1			

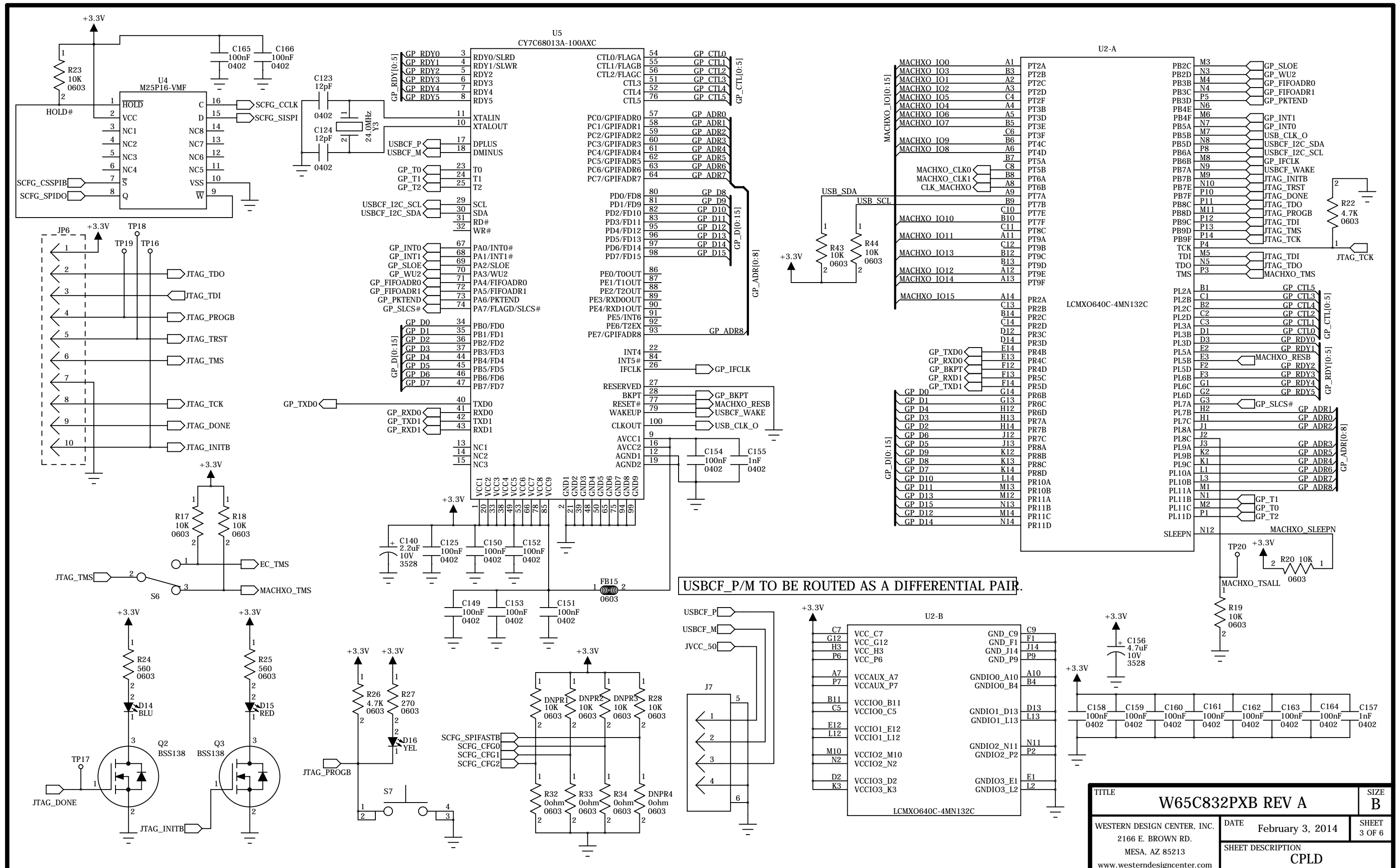


Place 1-100nF cap on device side near Ferrite Beads.
Place other 100nF caps on device side & all 10nF caps next to device power pins.

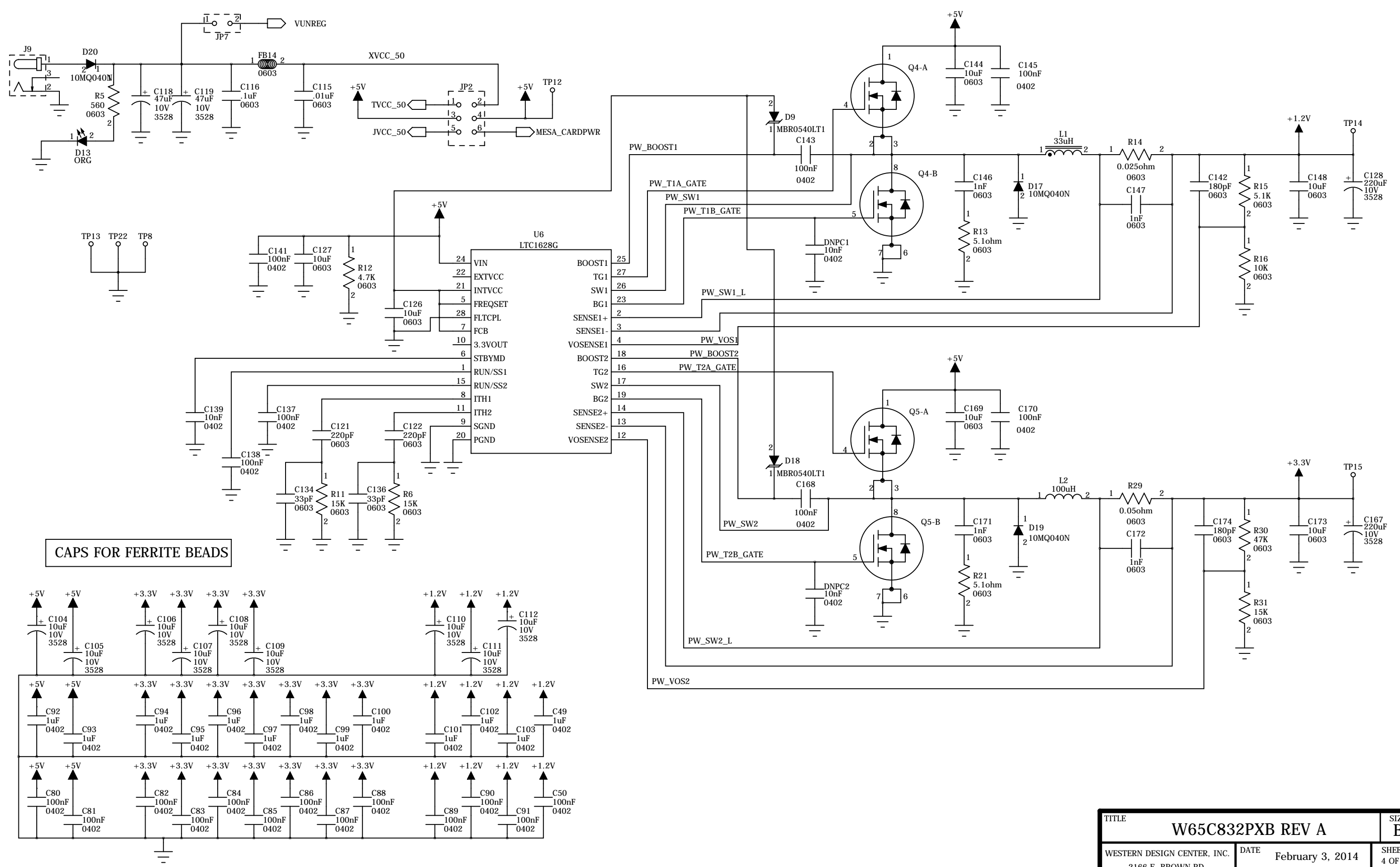
NOTE: ICS844071 CIRCUITRY TO BE PLACED CLOSE TO FPGA DEVICE MINIMIZING ALL ROUTING LENGTHS.

NOTE: URC_SQ_REFCLKP/N TO BE ROUTED AS A DIFFERENTIAL PAIR.

TITLE		W65C832PXB REV A		SIZE	B
WESTERN DESIGN CENTER, INC.		DATE		February 3, 2014	
2166 E. BROWN RD.		SHEET DESCRIPTION		SHEET 2 OF 6	
MESA, AZ 85213		FPGA-2			
www.westerndesigncenter.com					

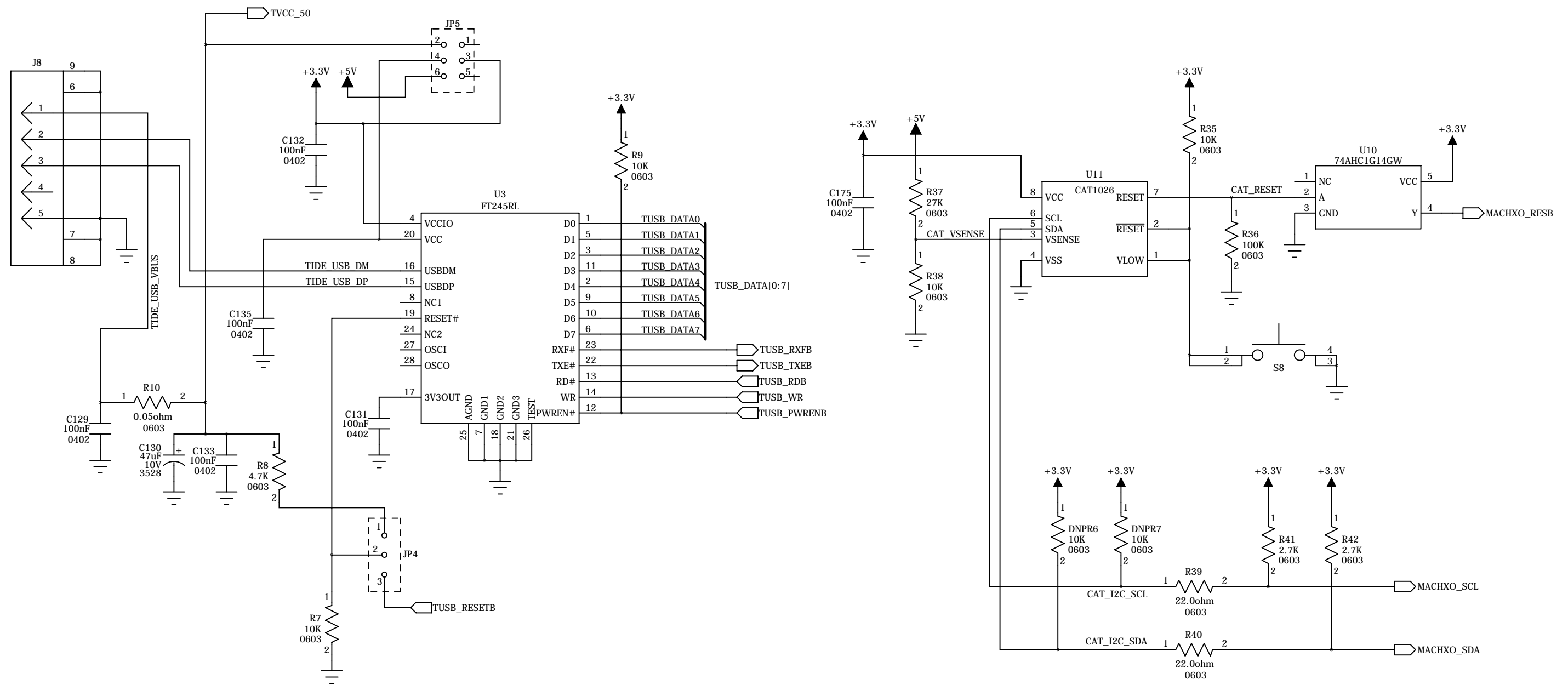


TITLE		W65C832PXB REV A		SIZE	B
WESTERN DESIGN CENTER, INC.		DATE	February 3, 2014	SHEET 3 OF 6	
2166 E. BROWN RD.		SHEET DESCRIPTION		CPLD	
MESA, AZ 85213		www.westerndesigncenter.com			

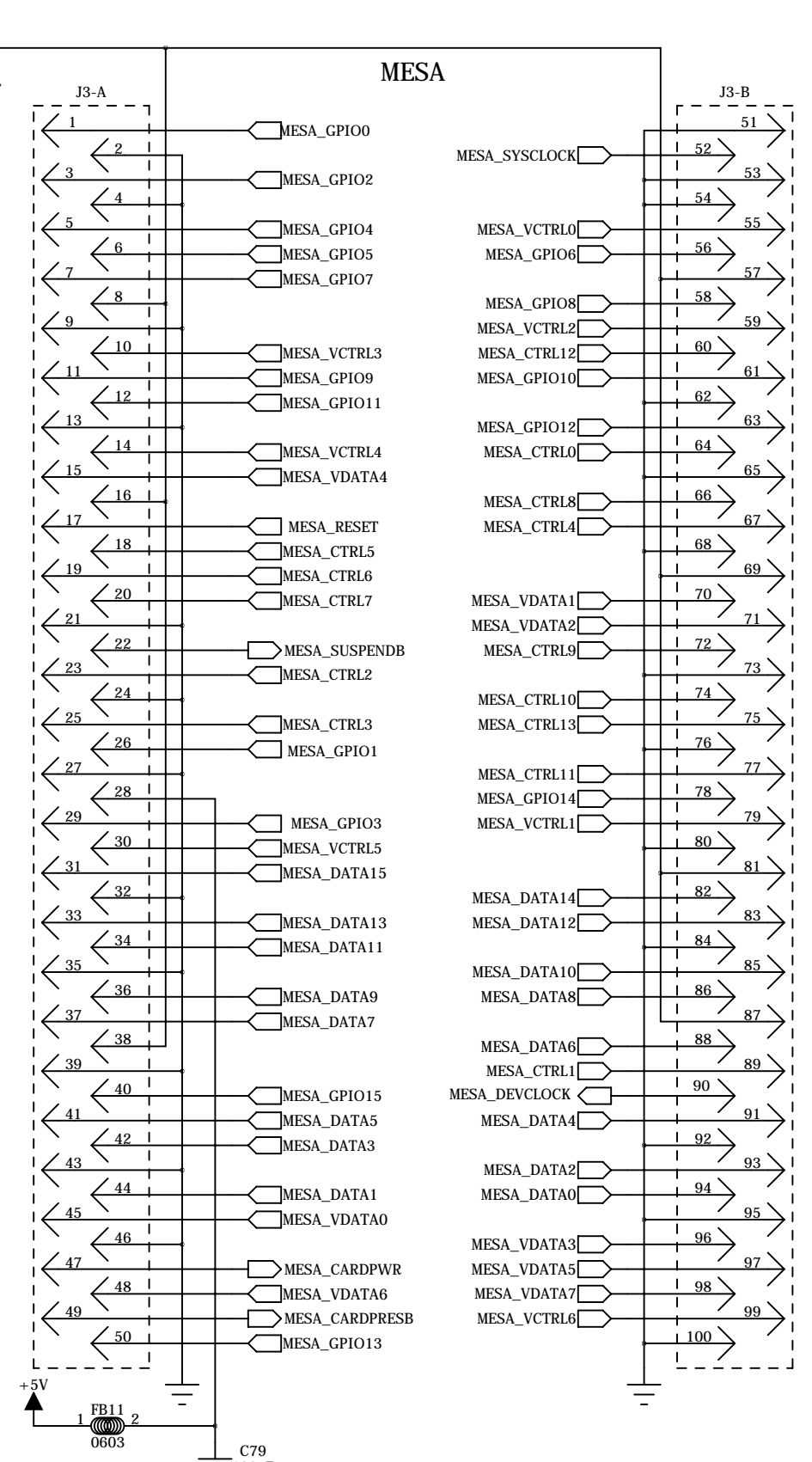
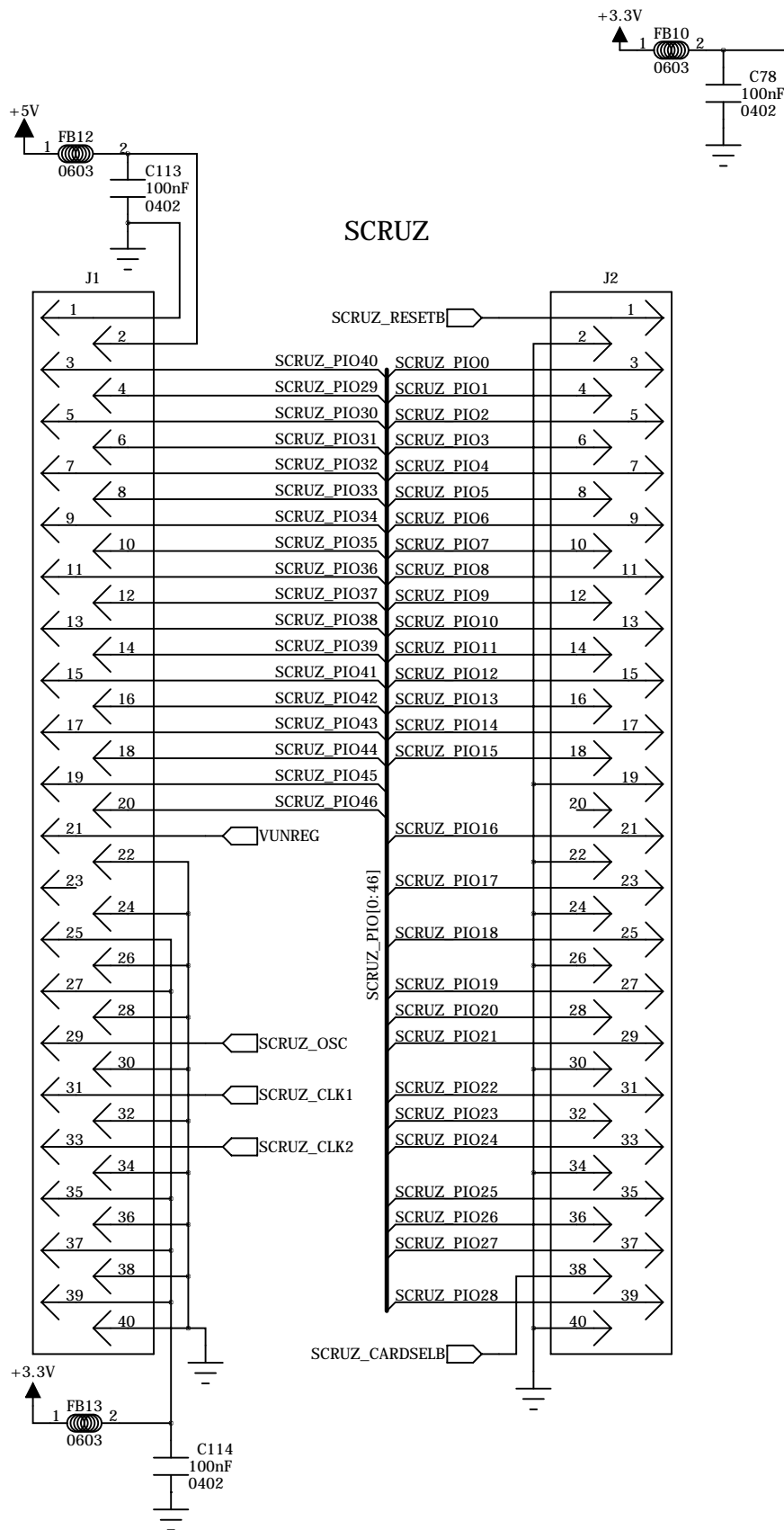
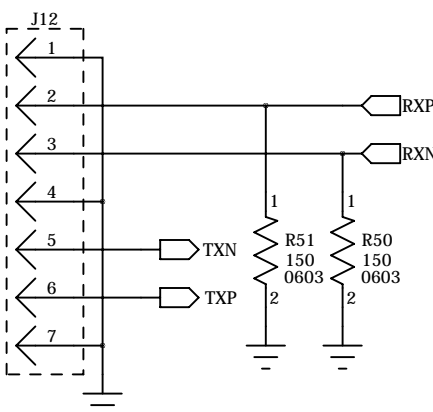
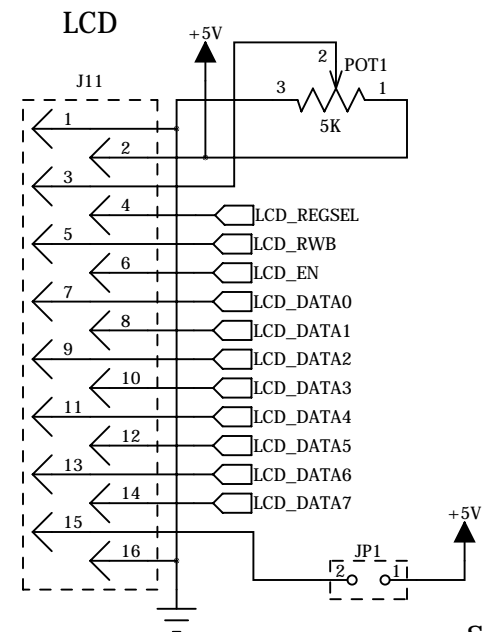
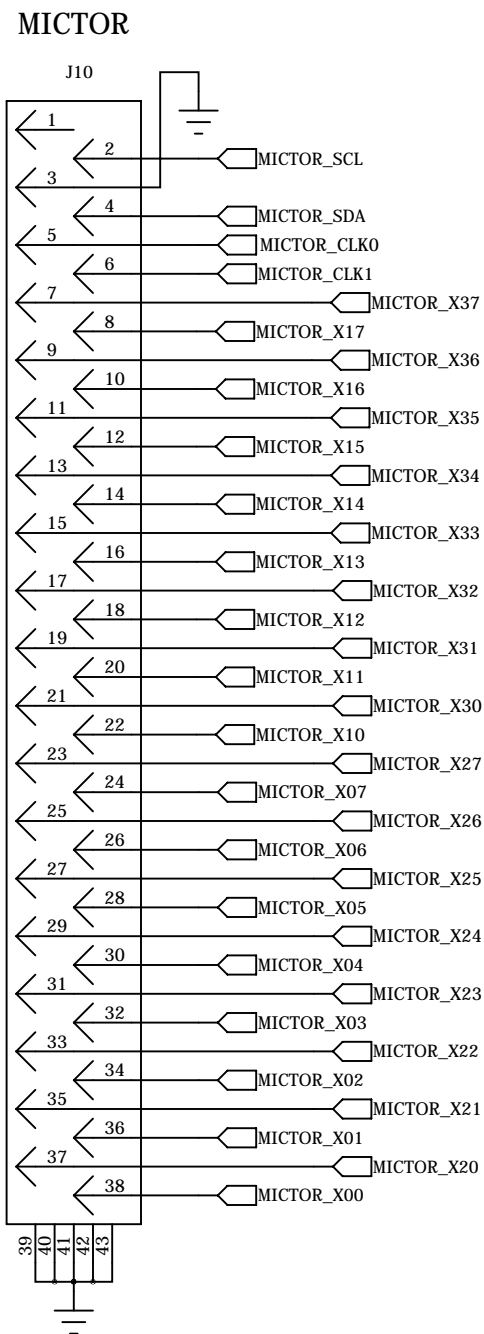
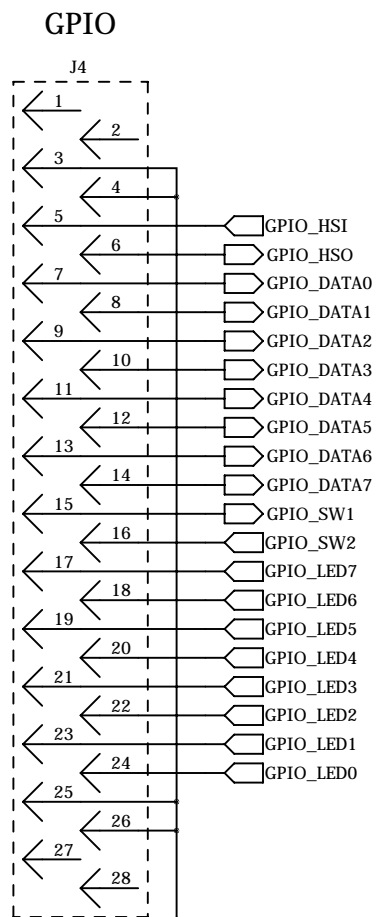


TITLE		W65C832PXB REV A		SIZE	B
WESTERN DESIGN CENTER, INC.		DATE	February 3, 2014	SHEET 4 OF 6	
2166 E. BROWN RD.		MESA, AZ 85213		SHEET DESCRIPTION	
www.westerndesigncenter.com				POWER	

TIDE_USB_DP/DM TO BE ROUTED AS A DIFFERENTIAL PAIR.



TITLE		W65C832PXB REV A		SIZE	B
WESTERN DESIGN CENTER, INC.		DATE	February 3, 2014	SHEET 5 OF 6	
2166 E. BROWN RD.		SHEET DESCRIPTION		TIDE USB INTERFACE	
MESA, AZ 85213		www.westerndesigncenter.com			



NOTES:
 NETS MICTOR_X0[7:0], MICTOR_X1[7:0], MICTOR_X2[7:0] & MICTOR_X3[7:0] ARE TO BE LENGTH MATCHED +/- 1MM FOR EACH RESPECTIVE SET OF 8 NETS.

TITLE		W65C832PXB REV A		SIZE	B
WESTERN DESIGN CENTER, INC.		DATE	February 3, 2014	SHEET 6 OF 6	
2166 E. BROWN RD.		SHEET DESCRIPTION			
MESA, AZ 85213		CONNECTORS			
www.westerndesigncenter.com					